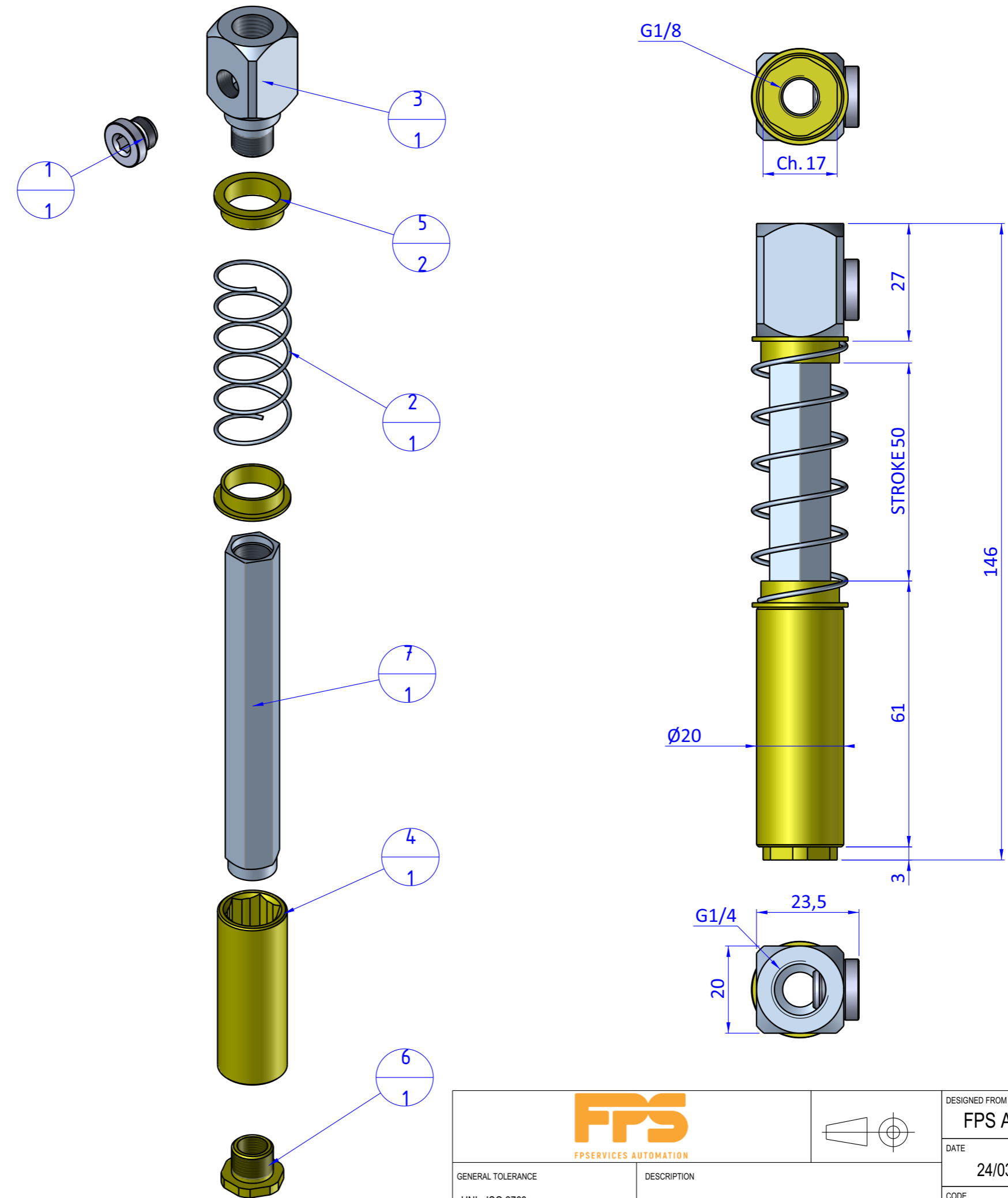



THE PROPERTY OF THE DRAWING IS ESTABLISHED BY LAW. IT IS FORBIDDEN TO PRODUCE OR SHOW IT TO THIRD PART. WITHOUT A WRITTEN AGREEMENT.

Item	Name	Q.ty
1	CA.08.14.014	1
2	M.21x69	1
3	SAE.20141825.1	1
4	SAE.20141825.3	1
5	SAE.20141825.4	2
6	SAE.20141825.5	1
7	SAE.20141850.1	1



Format A3
UNI 936-76

 FPS FPSERVICES AUTOMATION		DESIGNED FROM		REVIEW
		FPS Automation		A
GENERAL TOLERANCE		DATE		WEIGHT
UNI - ISO 2768		24/03/2022		0,146kg
CLASSE f		CODE		
CA.SAE.20141850		CA.SAE.20141850		